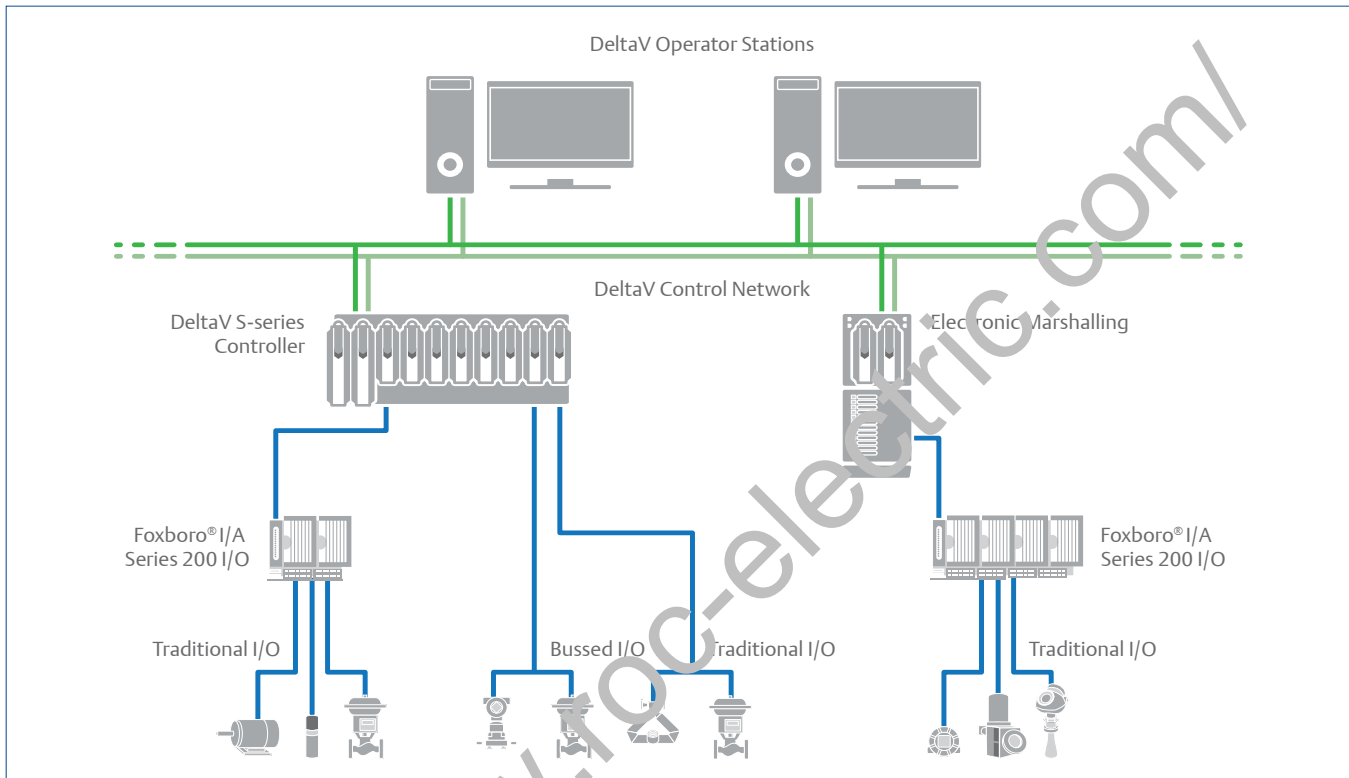


FlexConnect™ Solutions for Foxboro® I/A Series 200 I/O



FlexConnect™ Solutions protect your wiring investment as you convert from Foxboro® I/A Series to the DeltaV™ System

- Reduce business risks by minimizing process downtime
- Save on installation costs
- Preserve HART® signals

Introduction

If concerns about downtime and wiring costs are preventing you from migrating your Foxboro® I/A Series system to a new DeltaV™ system, then consider FlexConnect™ Solutions for Foxboro I/A Series 200 I/O.

Benefits

Reduce business risks by minimizing process downtime.

This solution brings device signals to DeltaV I/O from existing Foxboro I/A FBMs. Keeping device wires intact accelerates the new system startup, enabling you to rapidly resume production.

Save on installation costs. Eliminating new field wiring saves money and reduces the risk of errors. Time and materials savings are significant.

Preserve HART signals. Use HART® pass-through for complete diagnostics at the DeltaV Operator Station.

Product Description and Specification

FlexConnect Solutions provide direct connection from Foxboro I/A Series 200 FBMs to S-Series DeltaV I/O on Demand CHARM terminal blocks, S-Series traditional I/O cards or M-Series traditional I/O cards. Foxboro I/A Series 200 FBMs have many different I/O types. Passive FBMs have been selected for the FlexConnect Solutions. These are cable only solutions with no signal conditioning requirements.

Analog Inputs

Eight Analog Inputs connect to eight DeltaV 4-20mA AI CHARMs – FBM model number FBM201/P0916AA

Four Analog Inputs connect to four DeltaV 4-20mA AI CHARMs – FBM model numbers FBM204/P0916AG, FBM205/P0916AJ

Fourteen Analog Inputs connect to fourteen DeltaV Thermocouple/mV CHARMs – FBM model number FBM212/P0916BV

Eight Analog Inputs connect to eight DeltaV RTD CHARMs – FBM model number FBM203/P0916AE

Eight Analog Thermocouple/mV inputs connect to eight DeltaV Thermocouple/mV CHARMs – FBM model number FBM202/P0916AC

Analog Outputs

Eight Analog Outputs connect to eight DeltaV 4-20mA output CHARMs – FBM model numbers FBM237/P0916CC

Four Analog Outputs connect to four DeltaV 4-20mA output CHARMs - FBM model numbers FBM204/P0916AG, FBM205/P0916AJ

Discrete Inputs

Thirtytwo Discrete Inputs connect to thirtytwo DeltaV DI CHARMs – FBM model number FBM217/P0916PV

Twenty-four Discrete Inputs connect to twentyfour DeltaV DI CHARMs – FBM model number FBM219/P0917LE, FBM219/P0917LH

Sixteen Discrete Inputs connect to sixteen DeltaV DI CHARMs – FBM model numbers FBM207b/P0916JS, FBM207c/P0916MF

Eight Discrete Inputs connect to eight DeltaV DI CHARMs – FBM model numbers FBM241c/P0916AW, FBM241c/P0916IV, FBM241c/P0916QQ, FBM241c/P0916AQ,

Discrete Outputs

Sixteen Discrete Outputs connect to sixteen DeltaV DO CHARMs – FBM model number FBM242/P0916JY

Eight Discrete Outputs connect to eight DeltaV DO CHARMs – FBM model numbers FBM219/P0917LE, FBM219/P0917LH, FBM241c/P0916AW, FBM241c/P0916JW, FBM241c/P0916QQ, FBM241c/P0916AQ

Ordering Information

For inquiries and ordering information, please contact your local Emerson sales office. Please specify required cable lengths on your request. FlexConnect Solutions for specific Foxboro FBM Models are indicated in the following table:

(Note: FlexConnect Solutions drawings are available upon request.)

FlexConnect™ Solution #	Foxboro FBM 200 Type	Foxboro FBM 200 Signals	DeltaV™ CHARM Types	FlexConnect™ Solutions Drawing Numbers
FC-F2-CBL-1-10	FBM201/P0916AA	8 AI	8 - AI 4-20 mA HART SE4303T01	FC-F2-P0916AA FC-F2-P0916AA-CAB
FC-F2-CBL-1-30	FBM202/P0916AC	8 AI	8 - TC/mV SE4303T02	FC-F2-P0916AC FC-F2-P0916AC-CAB
FC-F2-CBL-1-70	FBM204/P0916AG FBM205/P0916AJ	4 AI 4 AO	4 - AI 4-20 mA HART SE4303T01 4 - AO 4-20 mA HART SESE4304T01	FC-F2-P0916AG FC-F2-P0916AG-CAB FC-F2-P0916AJ FC-F2-P0916AJ-CAB
FC-F2-CBL-4-30	FBM212/P0916BV	14 AI	14 - TC/mV SE4303T02	FC-F2-P0916BV FC-F2-P0916BV-CAB
FC-F2-CBL-1-40	FBM203/P0916AE	8 AI	8 - RTD SE4303T02	FC-F2-P0916AE FC-F2-P0916AE-CAB
FC-F2-CBL-1-20	FBM237/P0916CC	8 AO	8 - AO 4-20 mA HART SE4304T01	FC-F2-P0916CC FC-F2-P0916CC-CAB
FC-F2-CBL-3-50	FBM217/P0916PW	32 DI	32 - DI 24 VDC Low Side Sense SE4301T02	FC-F2-P0916PW FC-F2-P0916PW-CAB
FC-F2-CBL-5-80	FBM219/P0917LE	24 DI/8 DO	24 - DI 24 VDC Isolated SE4301T07 8 - DO 24 VDC Isolated SE4302T02	FC-F2-P0916LE FC-F2-P0916LE-CAB
	FBM219/P0917LH	24 DI/8 DO	24 - DI 24 VDC Low Side Sense SE4301T02 8 - DO 24 VDC Isolated SE4302T02	FC-F2-P0916LH FC-F2-P0916LH-CAB
FC-F2-CBL-2-50	FBM207b/P0916JS FBM207c/P0916MF	16 DI	16 - DI 24 VDC Low Side Sense SE4301T02	FC-F2-P0916JS FC-F2-P0916JS-CAB FC-F2-P0916MF FC-F2-P0916MF-CAB
FC-F2-CBL-2-80	FBM241/P0916AQ	8 DI 8 DO	8 - DI 24 VDC Isolated SE4301T07 8 - DO 24 VDC Isolated SE4302T02	FC-F2-P0916AQ FC-F2-P0916AQ-CAB
	FBM241c/P0916JW FBM241c/P0916AW FBM241c/P0916QQ	8 DI 8 DO	8 - DI 24 VDC Low Side Sense SE4301T02 8 - DO 24 VDC Isolated SE4302T02	FC-F2-P0916JW FC-F2-P0916JW-CAB FC-F2-P0916QQ FC-F2-P0916QQ-CAB FC-F2-P0916AW FC-F2-P0916AW-CAB
FC-F2-CBL-2-60	FBM242/P0916JY	16 DO	16 - DO 24 VDC Isolated SE4302T02	FC-F2-P0916JY FC-F2-P0916JY-CAB

For these Foxboro I/A Series 200 I/O types, contact your local Emerson sales office to discuss solution options:

Prerequisites

A preliminary site visit is required to survey installed control system architecture and electrical grounding practices, to document I/O models and numbers of each, and to review schedule constraints and turnaround objectives. Qualified Emerson engineers or technicians perform site reviews.

Services

For help in planning, justifying or implementing your system migration, contact your local Emerson representative. Expert consultants are available to advise you on a variety of concerns, including safety system design, implementation and standards compliance; digital buses, wireless applications, control performance, and process optimization.

www.roc-electric.com/

©2017, Emerson. All rights reserved.

The Emerson logo is a trademark and service mark of Emerson Electric Co. The DeltaV logo is a mark of one of the Emerson family of companies. All other marks are the property of their respective owners.

The contents of this publication are presented for informational purposes only, and while every effort has been made to ensure their accuracy, they are not to be construed as warranties or guarantees, express or implied, regarding the products or services described herein or their use or applicability. All sales are governed by our terms and conditions, which are available on request. We reserve the right to modify or improve the designs or specifications of our products at any time without notice.